

# 角形

# Square Type

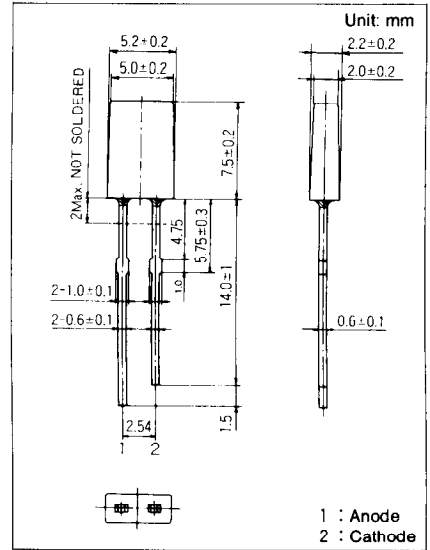
□ 5.0 mm × 2.0 mm Series

Type No.      Lighting Color  
 LN242RP ..... Red  
 LN342GP ..... Green  
 LN442YP ..... Amber  
 LN842RP ..... Orange

### 絶対最大定格 Absolute Maximum Ratings (Ta=25 °C)

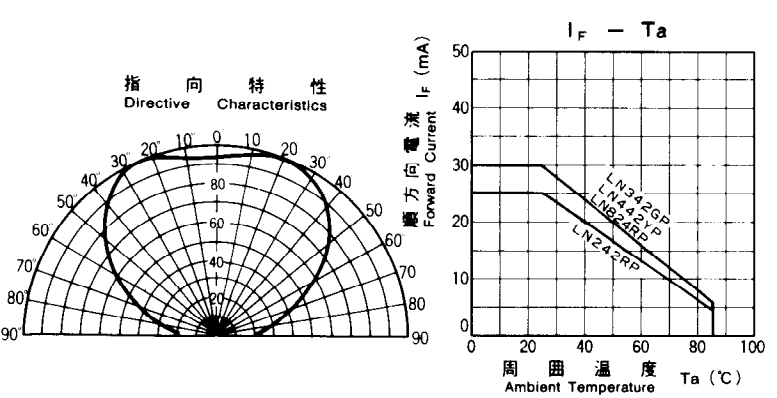
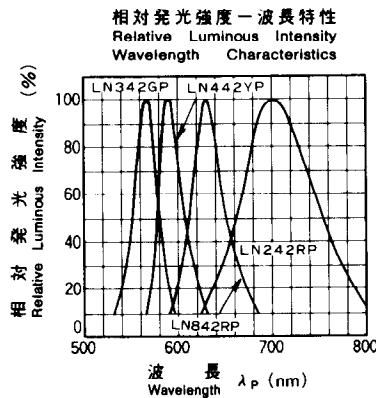
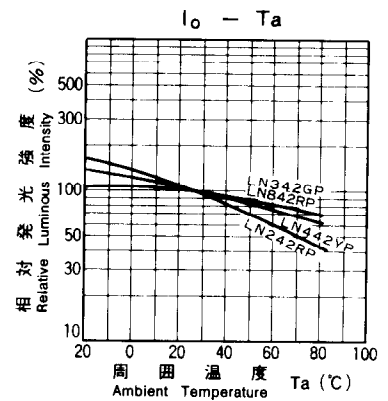
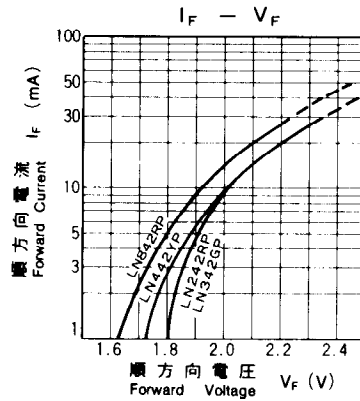
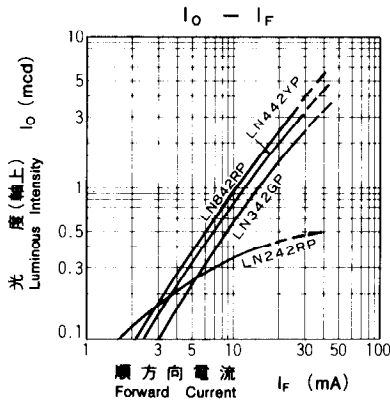
Lighting Color	P <sub>O</sub> (mW)	I <sub>F</sub> (mA)	I <sub>FP</sub> (mA)*	V <sub>R</sub> (V)	T <sub>opr</sub> (°C)	T <sub>stg</sub> (°C)
Red	70	25	150	4	-25~+85	-30~+100
Green	90	30	150	4	-25~+85	-30~+100
Amber	90	30	150	4	-25~+85	-30~+100
Orange	90	30	150	3	-25~+85	-30~+100

\* I<sub>FP</sub>の条件は、duty 10%、Pulse width 1 msec. The condition of I<sub>FP</sub> is duty 10%, Pulse width 1 msec



### 電気的光学的特性 Electro-Optical Characteristics (Ta=25 °C)

Type No.	Lighting Color	Lens Color	I <sub>o</sub>			V <sub>F</sub>		λ <sub>P</sub>		I <sub>F</sub>	I <sub>R</sub>	
			Typ.	Min.	I <sub>F</sub>	Typ.	Max.	Typ.	Typ.		I <sub>F</sub>	Max.
LN242RP	Red	Red Diffused	0.4	0.15	15	2.2	2.8	700	100	20	5	4
LN342GP	Green	Green Diffused	1.5	0.55	20	2.2	2.8	565	30	20	10	4
LN442YP	Amber	Amber Diffused	2.0	0.75	20	2.2	2.8	590	30	20	10	4
LN842RP	Orange	Red Diffused	2.5	1.00	20	2.1	2.8	630	40	20	10	3
Unit	—	—	mcd	mcd	mA	V	V	nm	nm	mA	μA	V



### 指向特性 Directive Characteristics

